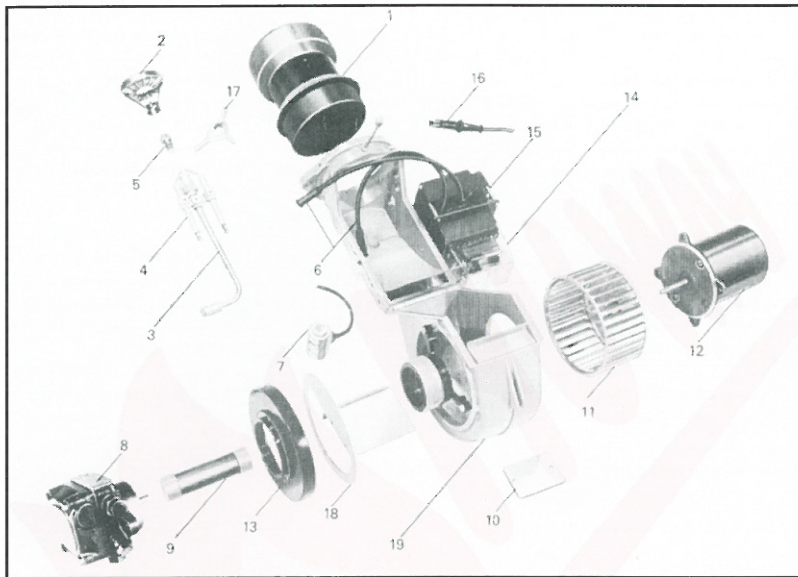


C2 MK1 C2-15



ITEM	CODE	DESCRIPTION
1	U90-508G	Draught Tube to Spec. advised
2	N28-014L	Diffuser Size "A"
2	N28-015M	Diffuser Size "B"
3	U90-038T	Inner Assembly to Spec. advised
4	U90-300K	Pair of Electrodes
4	U90-301G	Pair of Electrodes (Steam Cleaner)
5	-	Nozzle (state size, type & spray angle)
6	B09-131F	H.T. Leads (Complete)
7	E01-151Y	Solenoid Valve
7	E01-162T	Lead to suit
8	E02-042X	Fuel Pump Sundstrand AN45C
9	G03-015V	Flex Coupling (Danfoss Pump)
9	G03-012S	Flex Coupling (Sundstrand Pump)
10	G16-010Y	Inspection Window
11	D05-006T	Fan Impellor
12	A20-003V	Electric Motor .2HP (GEC)

ITEM	CODE	DESCRIPTION
13	U90-005T	Air Inlet Complete
14	C21-138V	Control Box LOA 24
14	C21-382S	Control Box Danfoss BH064
14	C21-133Q	Control Box Satronic TF
15	C02-024U	Transformer 52L 0003
16	C31-043T	Photocell - FZ711B
16	C31-014N	Photocell - Landis & Gyr.QRB1
16	C31-012L	Photocell - Danfoss LD (for 57H1&BH011)
17	P24-026L	Support BK
18	U90-019Y	Air Inlet Scoop
19	U90-014K	C2 Casing Complete
-	G09-008V	Gasket (<i>not illustrated</i>)
-	U90-008E	Fuel Pipe Pump to Inner Assembly
-	E03-029T	Filter Perfection Parts (<i>not illustrated</i>)
-	E05-027K	Flexible Oil Pipe 1/4" x 24" LG
-	E03-034Q	Filter Element (for E03-029T)

IMPORTANT: It is essential when ordering spare parts that model number, serial number and specification number are quoted.

NOTES:-

DANFOSS & LANDIS CONTROL BOX CONVERSIONS REFER TO PARTS & COMPONENTS DIVISION