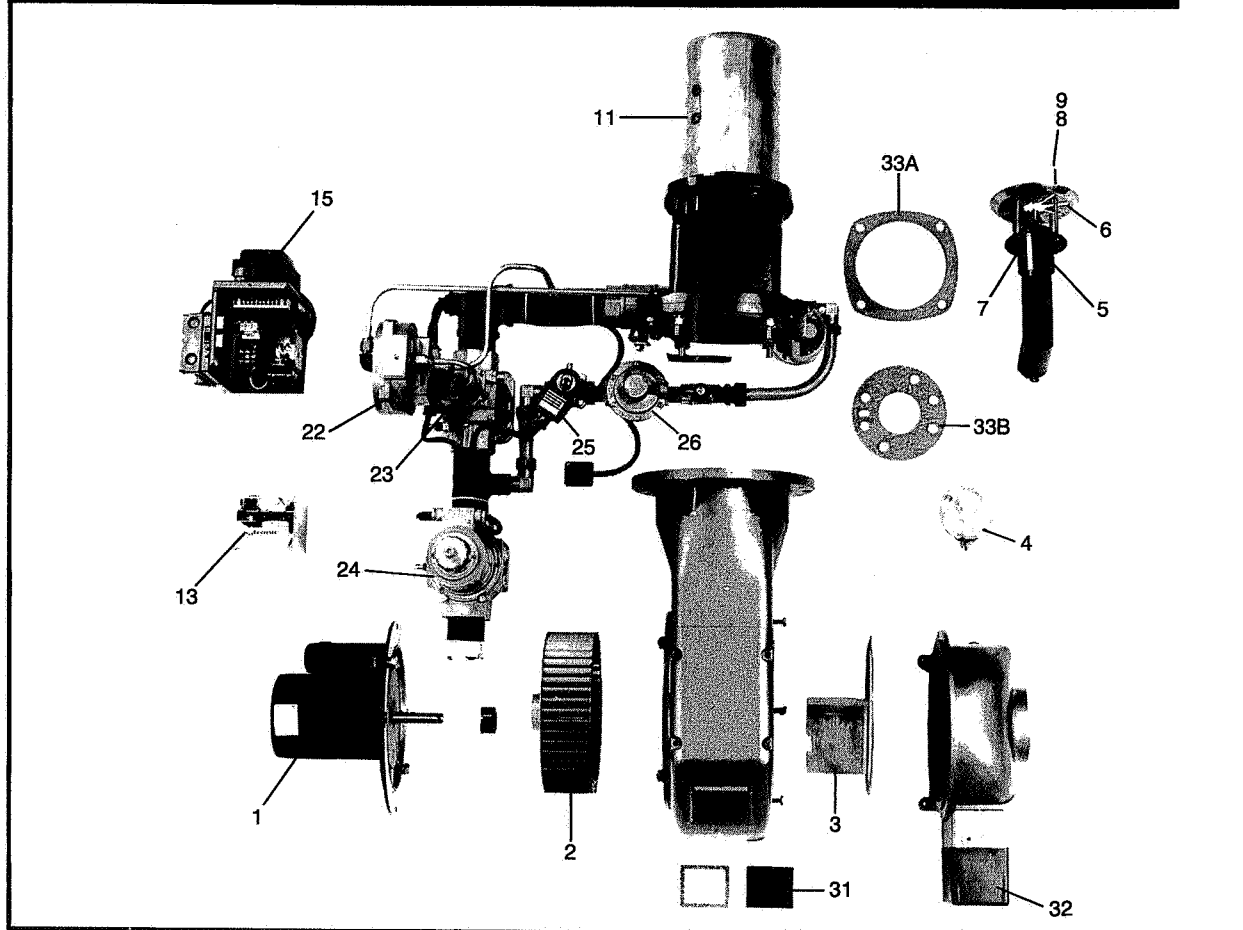


MODELS NGN15/NGN25 1 & 3 Phase On/Off & H/L



ITEM	CODE No.	DESCRIPTION
1A	A09-013Y	750W 1Ph Motor
1B	A09-014Z	750W 3Ph Motor
2	DO9-009J	Fan Impellor 225 x 74 mm
3	PO4-146E	Air Scoop
4	C50-054M	GW3 Pressure Switch
5A	M25-168U	Gas Nozzle NGN15 (Back Lighting)
5B	N25-207Y	Gas Nozzle NGN15 (Forward Lighting)
5C	M25-167K	Gas Nozzle NGN25 (Back Lighting)
5D	M25-143K	Gas Nozzle NGN25 (Forward Lighting)
6	P25-157V	Diffuser 135 mm
7A	U90-336S	Electrode (Back Lighting)

ITEM	CODE No.	DESCRIPTION
7B	U90-376A	Electrode (Forward Lighting)
8A	U90-382Z	Probe
8B	G06-021W	Probe (Uncut)
9	G06-022X	Probe Insulator
10	B09-041Q	Probe Lead (Not Illustrated)
11	U90-528T	Draught Tube (To Spec. advised)
12	G05-034S	"O" Ring Inner Assembly (Not illust.)
13A	C21-136K	MMI 810 Control Box
13B	C21-144T	MMG 810 Control Box
13C	C21-115N	Base to suit MMI/MMG Control
13D	C21-067Z	TMG 740 Control Box

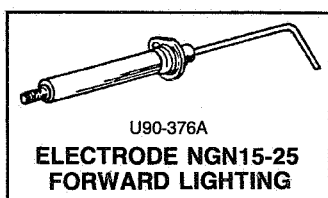
ITEM	CODE No.	DESCRIPTION
13E	C21-101Z	LFL 1.335 Control Box
14A	C31-027K	UVZ 780 Photocell MMG (Not illust.)
14B	C31-024Q	UVZ 780 Photocell TMG (Not illust.)
14C	C31-010W	QRA 2 Photocell LFL (Not illustrated)
15	C02-032U	52L0030 Transformer
16	B02-050N	3 amp Fuse (Not illustrated)
17	C56-044D	Contactora C19 (Not illustrated)
18A	C55-059K	Overload 1.2-1.9 3Ph (Not illustrated)
18B	C55-062E	Overload 4-6.2/6.9-10.7 1Ph (Not illust.)
19	C51-033V	Relay (Not illustrated)
20	B01-045C	Rocker Switch (Not illustrated)
21A	E01-205F	Multiblock 412-BO7 (NGN15) (Not illust.)
22A	E08-124U	SKP 10 Actuator no CPI
22B	E08-120C	SKP 20 Actuator c/w CPI
22C	E08-122S	SKP 20 Actuator no CPI
22D	E08-126W	SKP 70 Actuator c/w CPI
22E	E08-127X	SKP 70 Actuator no CPI
23A	E08-103G	SKP Body 1½" NGN15
23B	E08-108M	SKP Body 1½" (Double) NGN15

ITEM	CODE No.	DESCRIPTION
23C	E08-104H	SKP Body 2" NGN25
23D	E08-109N	SKP Body 2" (Double) NGN25
24A	E01-159G	MVD 1½" Safety Valve NGN15
24B	E01-160D	MVD 2" Safety Valve NGN25
25A	E01-070E	ASCO ¾" Pilot Valve
25B	E01-089W	ASCO ½" Pilot Valve
25C	E01-112R	ASCO ⅜" Pilot Valve
26A	E06-015Q	¾ BSP Regulator
26B	E06-039Y	½ BSP Regulator
27A	C50-076K	UB50 Pressure Switch
27B	C50-048X	GW10/50 Mini-Maxi Pressure Switch
29	C21-137L	DK2F Controller (Not illustrated)
30	B01-086W	C.P.I. Switch (Not illustrated)
31	G16.007S	Sight Glass
32	A30-026M	UFR Damper Motor
33A	G09-016C	4 Bolt Fixing Gasket
33B	G09-070W	Gas Train Gasket
34	E15-001K	Pressure Test Nipple (Not illustrated)
35	M25-080L	Diffuser Mounting Stud (Not illustrated)

IMPORTANT: It is essential when ordering spares parts that model number, serial number and specification number are quoted.

- N.B.**
1. Code numbers and types of electrical items listed are based on standard electrical supplies of 220-240V, 380-415V
 2. When ordering spare parts it is essential to quote the serial and specification numbers shown on the burner or burners.
 3. All goods are supplied subject to our standard Conditions of Sale.
 4. NGN burners are for Natural Gas. For Liquid Petroleum Gas (NGL) and Town Gas (NGT) burners alternative parts are used. Please enquire for details.

NOTES:



NU-WAY

NU-WAY LIMITED, P.O. Box 1 Vines Lane, Droitwich,
Worcs. WR9 8NA, England.
Tel: Droitwich (01905) 794242 (Direct Dial) & 794331
Facsimile: (01905) 794017
& Spares (01905) 795829



BS EN ISO 9001
CERT No. FM00921

WOLSELEY plc
A member of the Wolseley plc Group