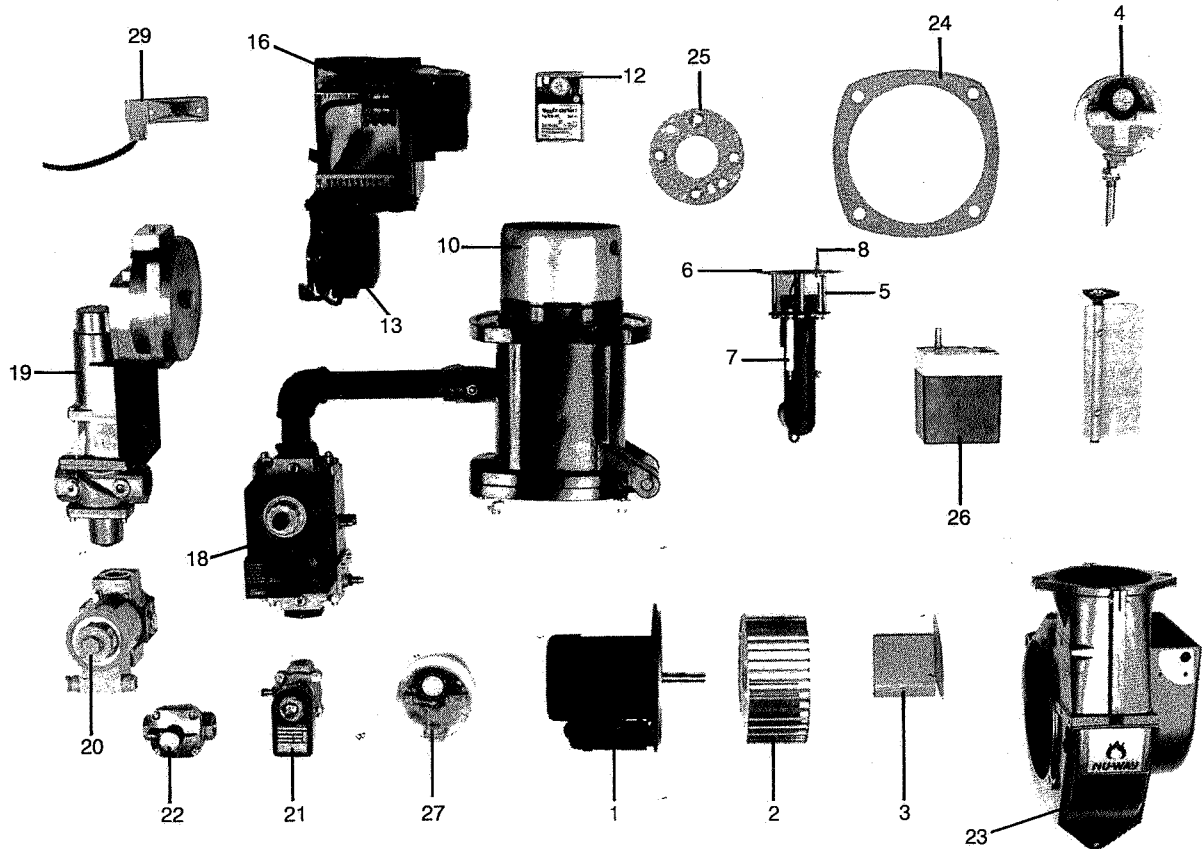


MODELS NGN7/NGN8 1 & 3 Phase On/Off & H/L



ITEM	CODE No.	DESCRIPTION
1A	A06-013M	250W 1 Ph Motor
1B	A06-014N	250W 3 Ph Motor
2	D06-006U	Fan 160 x 74
3	P02-024V	Air Scoop
4	C50-054M	GW3 Pressure Switch
5A	M22-045R	Gas Nozzle NGN7
5B	M25-130J	Gas Nozzle NGN8
5C	N25-205W	Gas Nozzle NGN8 (Forward Lighting)
6A	P22-055X	Diffuser 85mm (NGN7)
6B	P25-131K	Diffuser 110mm (NGN8)
7A	U90-337T	Electrode (Back Lighting)

ITEM	CODE No.	DESCRIPTION
7B	U90-375H	Electrode (Forward Lighting)
8A	U90-380B	Probe
8B	G06-022X	Probe Insulator
9	B09-041Q	Probe Lead (<i>Not illustrated</i>)
10A	U90-540B	Draught Tube NGN7 (To Spec. advised)
10B	U90-541Y	Draught Tube NGN8 (To Spec. advised)
11	G05-034S	I/A O Ring
12A	C21-136K	MMI810 Control Box
12B	C21-144T	MMG810 Control Box
12C	C21-115N	Base to suit MMI-MMG Control
12D	C21-101Z	LFL 1.335 Control Box

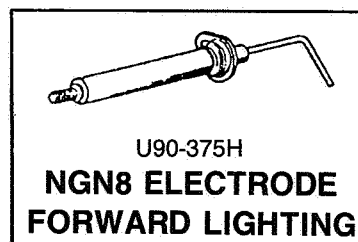
ITEM	CODE No.	DESCRIPTION
12E	C21-202E	LGB 21 Control Box
12F	C21-067Z	TMG 740 Control Box
13	CO2-032U	52L0030 Transformer
14	B02-050N	Fuse 5A (<i>Not illustrated</i>)
15	B01-045C	Light Rocker Switch (<i>Not illustrated</i>)
16	C56-044D	Contacteur CI9
17	C51-033V	Relay 6002 H/L (<i>Not illustrated</i>)
18	E01-204E	Multiblock 410-BO7
19A	E08-124U	Actuator SKP 10 (No C.P.I.) H/L only
19B	E08-126W	Actuator SKP 70 (c/w C.P.I.) H/L only
20	E01-158F	Solenoid Valve MVD 1" H/L only
21A	E01-089W	ASCO Pilot Valve 1/2" H/L only
21B	E01-112R	ASCO Pilot Valve 3/8" H/L only

ITEM	CODE No.	DESCRIPTION
22A	E06-011L	Regulator 1/2" H/L only
22B	E06-001T	Regulator 3/8" H/L only
23	G16-009C	Sight Glass
24	G09-016C	Mounting Gasket
25	G09-070W	Gas Train Gasket
26	A30-030V	SQN 31 Damper Motor
27	C50-076K	UB50 Pressure Switch H/L only
28A	M25-082A	Mounting Stud 27mm NGN7 (<i>Not illust.</i>)
28B	M25-562P	Mounting Stud 45mm NGN8 (<i>Not illust.</i>)
29	B01-086W	C.P.I. Switch
30A	C31-010W	QRA2 Photocell (<i>Not illustrated</i>)
30B	C31-027K	UVZ 780 (R) Photocell (<i>Not illustrated</i>)

IMPORTANT: It is essential when ordering spare parts that model number, serial number and specification number are quoted.

- N.B.**
- Code numbers and types of electrical items listed are based on standard electrical supplies of 220-240V, 380-415V
 - When ordering spare parts it is essential to quote the serial and specification numbers shown on the burner or burners.
 - All goods are supplied subject to our standard Conditions of Sale.
 - NGN burners are for Natural Gas. For Liquid Petroleum Gas (NGL) and Town Gas (NGT) burners alternative parts are used. Please enquire for details.

NOTES:



NU-WAY

NU-WAY LIMITED, P.O. Box 1 Vines Lane, Droitwich,
Worcs. WR9 8NA, England.
Tel: Droitwich (01905) 794242 (Direct Dial) & 794331
Facsimile: (01905) 794017
& Spares (01905) 795829

WOLSELEY plc
A member of the Wolseley plc Group



G99-2530