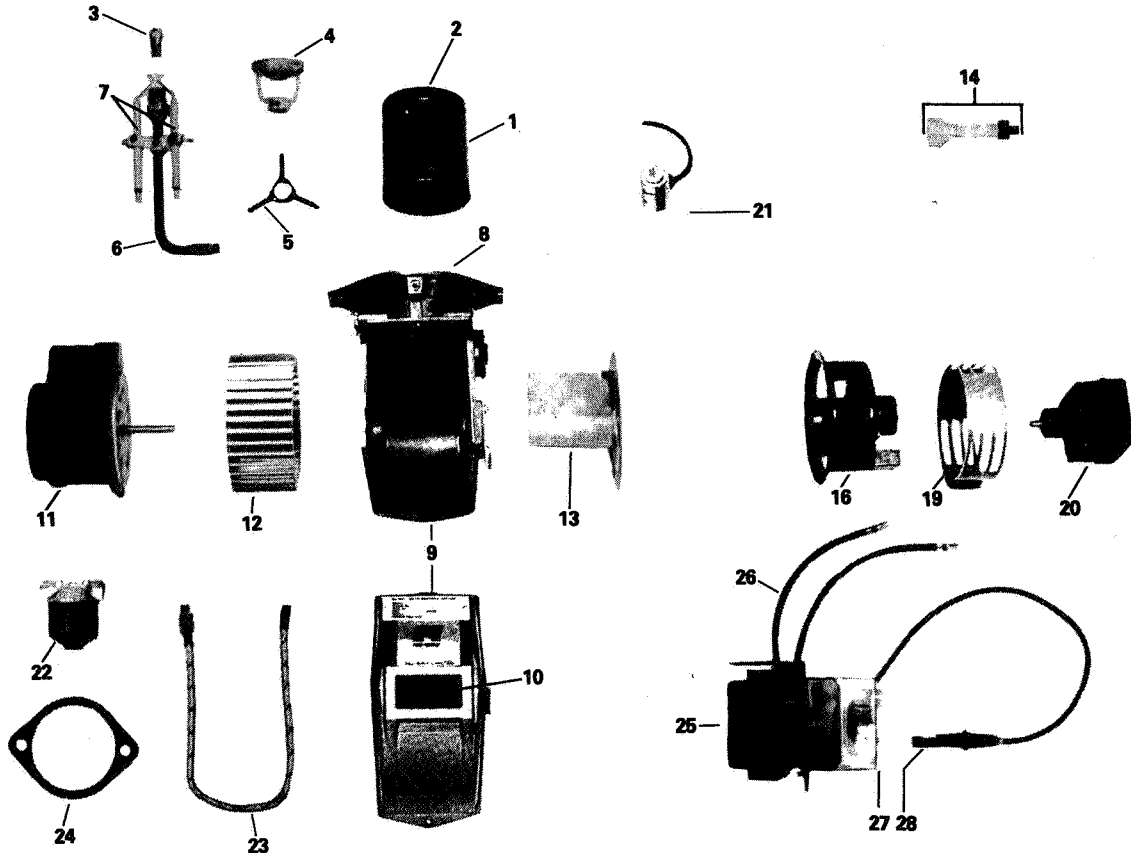


MODELS NOL1/NOL2/NOL3



ITEM	CODE No.	DESCRIPTION
1A	N24-008T	NOL1 Draught Tube (To Spec. advised)
1B	U90-512K	NOL2&3 Draught Tube (To Spec. advised)
2A	Z28-210A	NOL2 End Cone
2B	Z28-209N	NOL3 End Cone
3		Nozzle (Advise size and angle of spray)
4A	N24-015H	NOL1 Diffuser
4B	N24-060S	NOL2&3 Diffuser
5	P24-026L	Inner Assembly Support Bracket
6	U90-053S	NOL1,2&3 Inner Assembly (To Spec. advised)
7A	U90-300K	NOL1,2&3 Electrodes (STD)
7B	U90-301G	NOL1,2&3 Electrodes Steam Cleaner

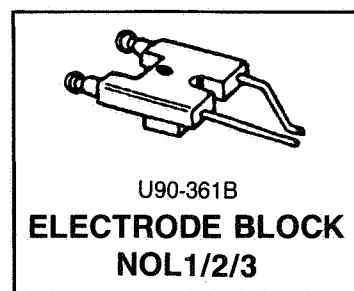
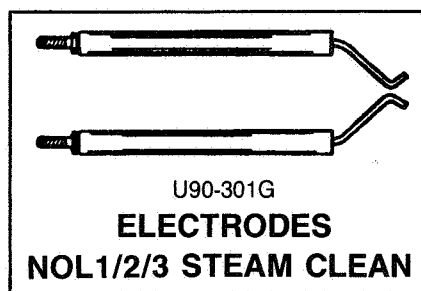
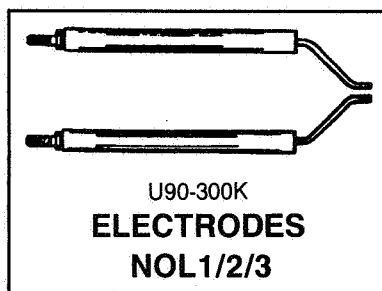
ITEM	CODE No.	DESCRIPTION
7C	U90-361B	Electrode Block
8	P24-086R	Adaptor Flange
9	U90-022K	Burner Casing Complete
10	G16-009C	Inspection Window
11	A02-017M	Motor 75W 1 Phase AEG
12A	D04-005Z	NOL1 (R) Fan Impellor
12B	D04-006S	NOL1 (S) Fan Impellor
12C	D05-010S	NOL2&3 Fan Impellor 133 x 62mm
13	N24-015H	Scoop Assembly
14	U90-603F	NOL1,2&3 Coupling Set Complete
16	P24-033K	Air Box

ITEM	CODE No.	DESCRIPTION
19	P24-034L	Air Strap
20A	E02.149F	BFP 31 L3 Fuel Pump
20B	B16-056V	Coil to suit BFP Pump
20C	E02-105U	AS47C Fuel Pump
20D	B16-030X	Coil to suit AS Pump
21	E01-028Y	Solenoid Valve V-Matic
22A	E03-029T	Filter PP414
22B	E03-034Q	Filter Element for PP414 <i>(Not illustrated)</i>
22C	E03-011R	Filter Crosland 18489
22D	E03-022L	Filter Element for 18489 <i>(Not illustrated)</i>
23	E05-027K	Flexible Oil Pipe 24" x .25 BSP
24	G09-030N	Gasket
25	C02-024U	Transformer 52L0003

ITEM	CODE No.	DESCRIPTION
26	U90-403X	H.T. Leads
27A	C21-133Q	TF801B Control Box
27B	C21-078C	BH011 Control Box
27C	C21-138V	LOA21 Control Box
27D	C21-146V	TF830 Control Box
27E	C21-208L	BH061 Control Box
27F	C21-114M	Base to suit TF Controls
28A	C31-043T	FZ711 Photocell head
28B	C31-039X	MZ770 Photocell Head
28C	C31-040C	Lead to suit FZ/MZ Photocells
28D	C31-012L	L.D. Photocell
28E	C31-038W	L.D. (BH061) Photocell
28F	C31-014N	QRB/1 Photocell

IMPORTANT: It is essential when ordering spare parts that model number, serial number and specification number are quoted.

NOTES:

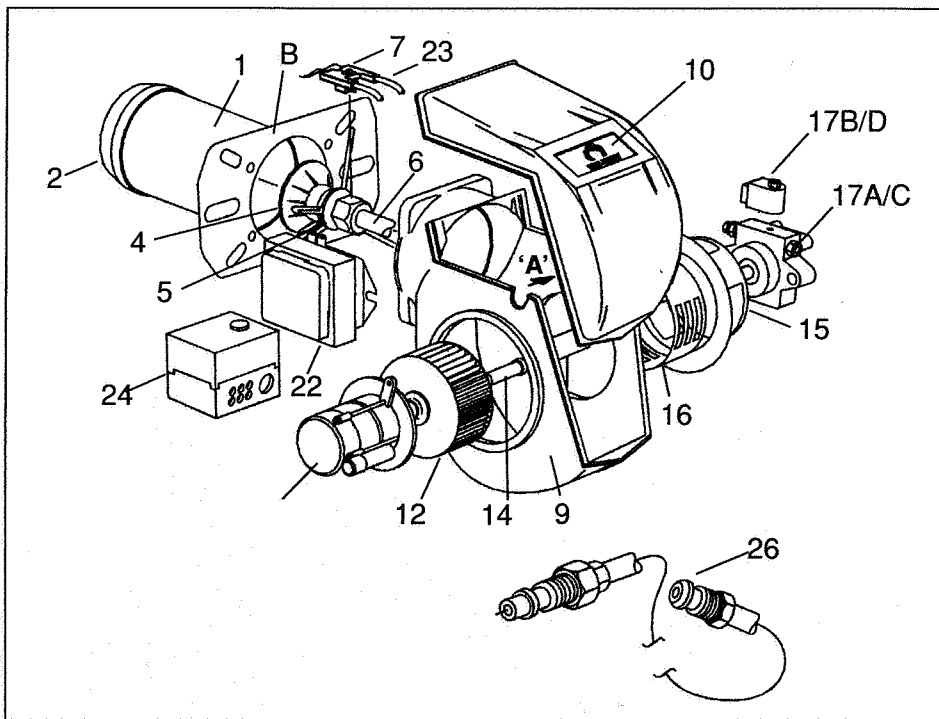


NU-WAY LIMITED, P.O. Box 1 Vines Lane, Droitwich,
Worcs. WR9 8NA, England.
Tel: Droitwich (01905) 794331 & 794242 (Direct Dial)
Facsimile: (01905) 794017
Parts & Components (01905) 795829
Email: info@nu-way.co.uk



An Enertech Group Company

MODELS NOL1/NOL2/NOL3



ITEM	CODE NO.	DESCRIPTION	ITEM	CODE NO.	DESCRIPTION
1 A	N24-008T	NOL1 Draught Tube (To Spec. advised)	17C	E02-105U	AS47C Fuel Pump
1 B	U90-512K	NOL2&3 Draught Tube (To Spec. adv)	17D	B16-030X	Coil to suit AS Pump
2A	Z28-210A	NOL2 End Cone	18	E01-028Y	Solenoid Valve V-Matic
2B	Z28-209N	NOL3 End Cone	19A	E03-029T	Filter PP414
3		Nozzle (Advise size and angle of spray)	19B	E03-034Q	Filter Element for PP414 (Not illustr)
4A	N24-015H	NOL1 Diffuser	19C	E03-011 R	Filter Crosland 18489
4B	N24-060S	NOL2&3 Diffuser	19D	E03-022L	Filter Element for 18489 (Not illustr)
5	P24-026L	Inner Assembly Support Bracket	20	E05-027K	Flexible Oil Pipe 24" x .25 BSP
6	U90-053S	NOL1,2&3 Inner Assembly (To Spec.)	21	G09-030N	Gasket
7A	U90-300K	NOL1,2&3 Electrodes (STD)	22	C02-024U	Transformer E25-0003
7B	U90-301G	NOL1,2&3 Electrodes Steam Cleaner	23	U90-403X	H.T. Leads
7C	U90-361B	Electrode Block	24A	C21-133Q	TF801B Control Box
8	P24-086R	Adaptor Flange	24B	C21-138V	LOA24 Control Box
9	U90-022K	Burner Casing Complete	24C	C21-146V	TF830 Control Box
10	G16-022Q	Inspection Window	24D	C21-382S	BH064 Control Box
11	A02-017M	Motor 75W 1 Phase AEG	24E	C21-114M	Base to suit TF Controls
12A	D04-005Z	NOL1 (R) Fan Impellor	25A	C31-043T	FZ711 Photocell head
12B	D04-006S	NOL1 (S) Fan Impellor	25B	C31-039X	MZ770 Photocell Head
12C	D05-010S	NOL2&3 Fan Impellor 133x62mm	25C	C31-040C	Lead to suit FZ/MZ Photocells
13	N24-035D	Scoop Assembly	25D	C31-038W	L.D. (BH061) Photocell
14	U90-603F	NOL1,2&3 Coupling Set Complete	25E	C31-014N	QRB/1 Photocell
15	P24-033K	Air Box	26	U90009F	External Pipework
16	P24-034L	Air Strap			
17A	E02.149F	BFP 11 L3 Fuel Pump			
17B	B16-056V	Coil to suit BFP Pump			