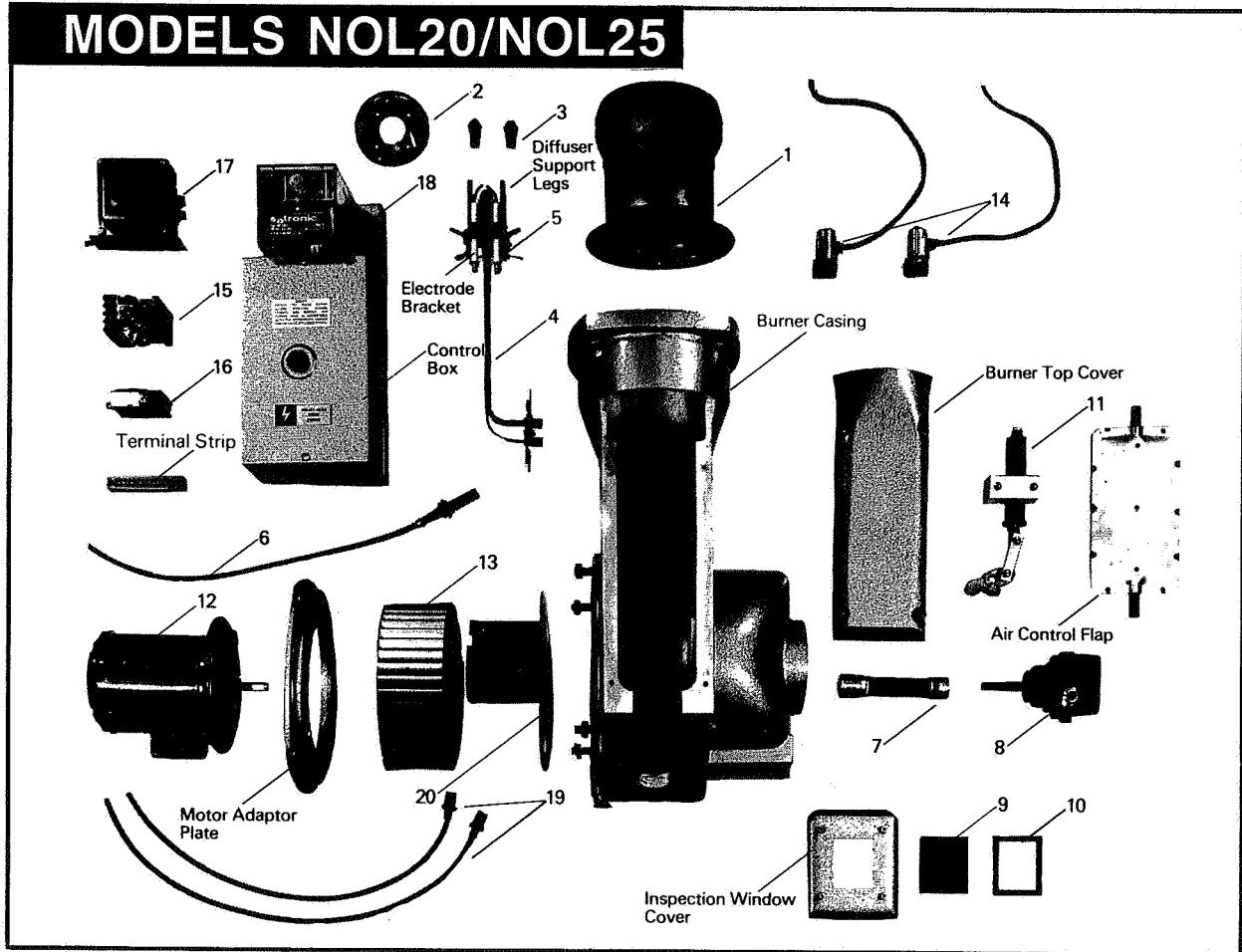


MODELS NOL20/NOL25



ITEM	CODE No.	DESCRIPTION
1	U90-510V	Draught Tube (To Spec. advised)
2A	P04-078M	Diffuser 120mm (NOL20)
2B	P04-077C	Diffuser 100mm (NOL25)
3	—	Nozzles (Size and Spray Angle req.)
4A	U90-041W	Inner Assy O/O (To Spec. advised)
4B	U90-042X	Inner Assy H/L (To Spec. advised)
5	U90-422R	Electrodes (Pair)
6A	C31-017R	QRB3 Photocell
6B	C31-012L	L.D. (BH011) Photocell
6C	C31-039X	MZ 770 Photocell Head
6D	C31-043T	FZ 711 Photocell Head

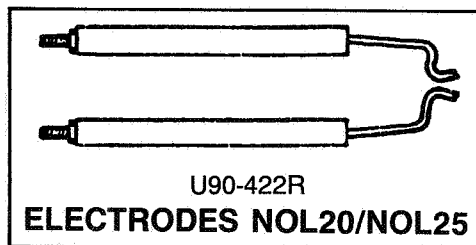
ITEM	CODE No.	DESCRIPTION
6E	C31-044U	Lead to suit MZ/FZ Photocell
7	G03-009Q	Pump Coupling 190mm
8	E02-043Y	Oil Pump RSA 60
9	G16-007S	Inspection Window
10	G09-003Q	Gasket for Inspection Window
11	E19-001X	Hydraulic Plunger
12A	A09-013Y	750W 1 Ph Motor
12B	A09-014Z	750W 3 Ph Motor
13	D09-009J	Fan Impeller 225mm
14A	E01-028Y	Solenoid Valve V-matic
14B	E01-113J	Solenoid Valve T.T.H. Twin

ITEM	CODE No.	DESCRIPTION
14C	B16.034P	Coil to suit E01-113J
15	C56-044D	Contacteur CI9
16A	C55-062E	Overload 4-6.2A
16B	C55-059K	Overload 1.2-1.9A
17	C03-012Z	Transformer 30MA
18A	C21-066Y	TM0720 Control Box
18B	C21-106W	LAL 1.25 Control Box
18C	C21-174Z	TTO 872 Control Box

ITEM	CODE No.	DESCRIPTION
18D	C21-134R	TF802 Control Box
18E	C21-114M	Base to suit — TTO/T.F. Controls
19	U90-401V	H.T. Leads
20	N04-038V	Air Inlet Scoop
21A	E03-013K	Filter (<i>Not illustrated</i>)
21B	E03-025P	Filter Element (<i>Not illustrated</i>)
22	E05-027K	Flexible Oil Pipe (<i>Not illustrated</i>)
23	G09-016C	Gasket (<i>Not illustrated</i>)

IMPORTANT: It is essential when ordering spare parts that model number, serial number and specification number are quoted.

NOTES:



NU-WAY LIMITED, P.O. Box 1 Vines Lane, Droitwich,
Worcs. WR9 8NA, England.
Tel: Droitwich (01905) 794242 (Direct Dial) & 794331
Facsimile: (01905) 794017
& Spares (01905) 795829

WOLSELEY plc
A member of the Wolseley plc Group



BS EN ISO 9001
CERT No. FM00921

G99-207K

**SPARES AND COMPONENTS
DIVISION**



NU-WAY LTD. P.O. Box 1, Vines Lane,
Droitwich,
Worcs., WR9 8NA, England
Tel. 0905 794331 & 794242
Fax. 0905 794017
Telex 338551 Nuway G
Registered in England No. 299044
a subsidiary company of Wolseley plc.

SPARE PARTS LIST

**BURNER
MODEL NOL 20 & NOL 25**

Item	Code No.	Description	Category (see note)	Price
1	U90-510V	DRAUGHT TUBE (TO SPEC ADVISED)		
2A	U90-041W	INNER ASSY ON/OFF (TO SPEC ADVISED)		
2B	U90-042X	INNER ASSY HI/LOW (TO SPEC ADVISED)		
3A	P04-078M	DIFFUSER 120MM (NOL20)		
3B	P04-077C	DIFFUSER 100MM (NOL25)		
4	U90-422R	ELECTRODES		
5	U90-401V	H.T. LEADS		
6A	A09-013Y	750W 1PH MOTOR		
6B	A09-014Z	750W 3PH MOTOR		
7	D09-009J	225 x 74 FAN		
8	G03-009Q	190MM COUPLING		
9	E02-043Y	RSA60 70L3360 FUEL PUMP		
10	E01-113J	TTH TWIN SOLENOID VALVE		
11	E19-001X	HYDRAULC RAM		
12A	C21-174Z	TT0872 CONTROL BOX		
12B	C21-134R	TF802B CONTROL BOX		
12C	C21-114M	BASE TO SUIT TTO/TF CONTROL		
13A	C31-039X	MZ770 PHOTOCCELL HEAD		
13B	C31-043T	FZ711 PHOTOCCELL HEAD		
13C	C31-044U	LEAD TO SUIT MZ/FZ PHOTOCCELL		

NOTES

- Categories: A - Recommended Short-Term Spares - Commissioning Spares (3 years)
B - Recommended Long-Term Spares (5 years)
- When ordering spare parts it is essential to quote serial & specification number of burner
- Code numbers and types of electrical items are based on standard electrical supplies of 220-240 1phase 50Hz, or 380-440 3phase 50Hz

**SPARES AND COMPONENTS
DIVISION**



NU-WAY LTD. P.O. Box 1, Vines Lane,
Droitwich,
Worcs., WR9 8NA, England
Tel. 0905 794331 & 794242
Fax. 0905 794017
Telex 338551 Nuway G
Registered in England No. 299044
a subsidiary company of Wolseley plc.

SPARE PARTS LIST

BURNER MODEL **NOL 20 & NOL 25**

Item	Code No.	Description	Category (see note)	Price
14	C03-012Z	35MA TRANSFORMER		
15	B02-049R	5A FUSE		
16	C56-044D	C19 CONTACTOR		
17A	C55-059K	1.2 - 1.9 OVERLOAD		
17B	C55-062E	4-6.2/6.9-10.7 OVERLOAD		
18A	E03-013K	FILTER 555		
18B	E03-025P	ELEMENT TO SUIT 555		
19	E05-006X	FLEXIBLE OIL PIPE		
20	G09-016C	MOUNTING GASKET		
21	-	NOZZLE (ADVISE SIZE & SPRAY ANGLE)		
		OPTIONS		
	C21-106W	LAL 1-25 CONTROL BOX		
	C31-017R	QRB3 PHOTOCCELL		
	C21-066Y	TMO720 CONTROL BOX		

NOTES

- Categories: A - Recommended Short-Term Spares - Commissioning Spares (3 years)
B - Recommended Long-Term Spares (5 years)
- When ordering spare parts it is essential to quote serial & specification number of burner
- Code numbers and types of electrical items are based on standard electrical supplies of 220-240 1phase 50Hz, or 380-440 3phase 50Hz