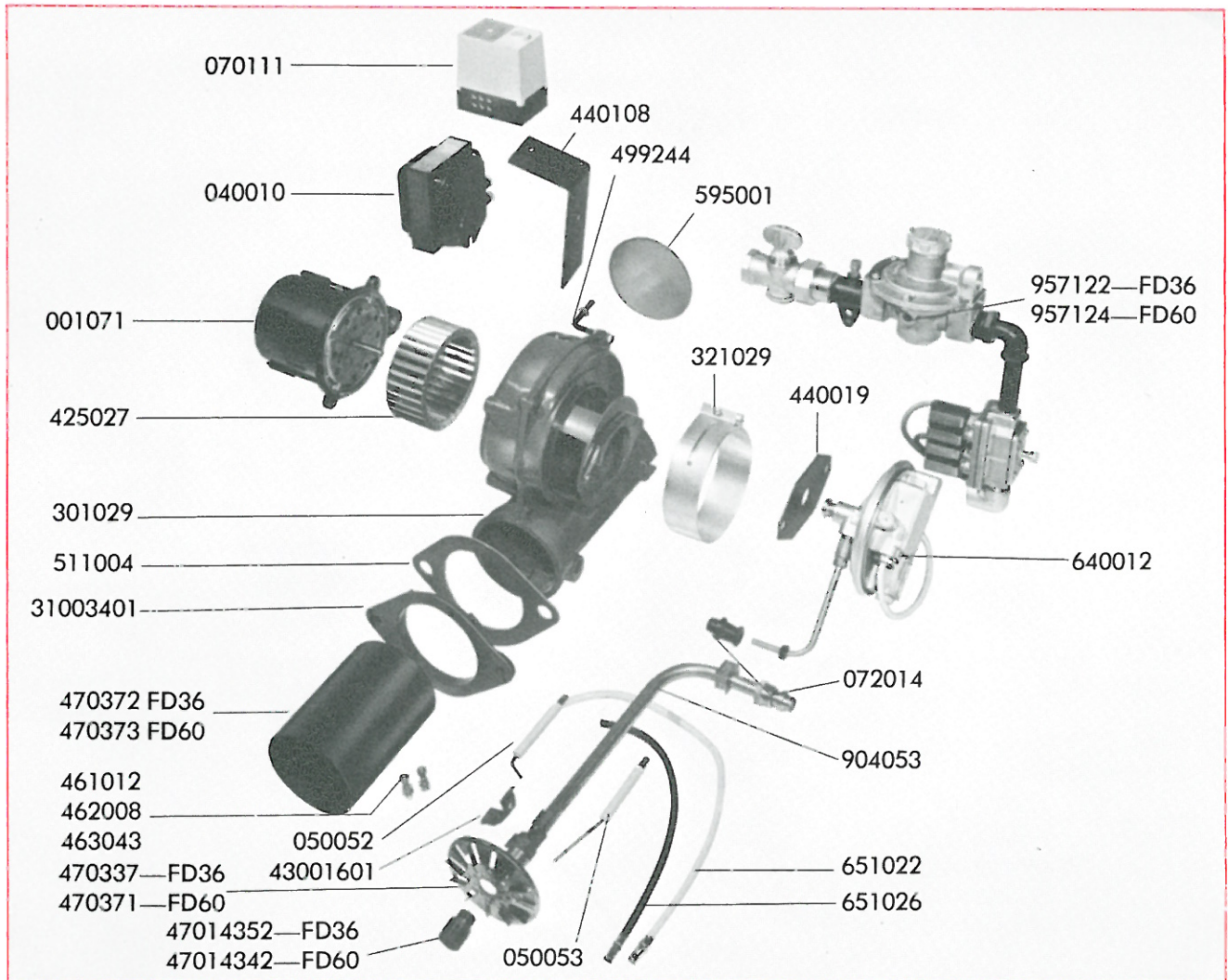


# SELECTOS Model SG11 spare parts list

## Automatic Gas Burner



The above for pictorial identification only

Part No	Description	Part No	Description
001071	Motor	470373	Draught Tube FD60
040010	Transformer	47014352	Nozzle FD36
050052	Electrode	47014342	Nozzle FD60
050053	Probe	499244	Gas Line Bracket Adjustment Screw
070111	Control Box Satronic TFI812B	511004	Gasket
072014	Bush	595001	Sight Glass
301029	Housing	640012	Pressure Switch Assy
31003401	Flange	651022	Probe Lead
321029	Air Intake Control Band	651026	Ignition Lead
425027	Fan	904053	Gas Line Inner Assy
43001601	Electrode Clamping Bracket	957122	Gas Line (External) FD36
440019	Pressure Switch Mounting Plate	957124	Gas Line (External) FD60
440108	Control Box Bracket		
461012	M5 X 12 Bolt		
462008	M5 Nut—Hex.		
463043	M5 Washer		
470337	Flame Ring FD36		
470371	Flame Ring FD60		
470372	Draught Tube FD36		

British Gas and Oil Burners Limited Telex: 81579 Cables: Selectburna Thet

Head Office & East Anglian Division Burrell Way Thetford Norfolk IP24 3RA Tel 0842 4444

London Division 117 Queenstown Road Battersea London SW8 3KH Tel 01-720 7011

Midland Division Cross Street Bridgtown Cannock Staffs WS11 3BZ Tel 054 35 71621

Northern Division Douglas Street, Hyde, Cheshire SK14 1RL Tel 061-351 1258