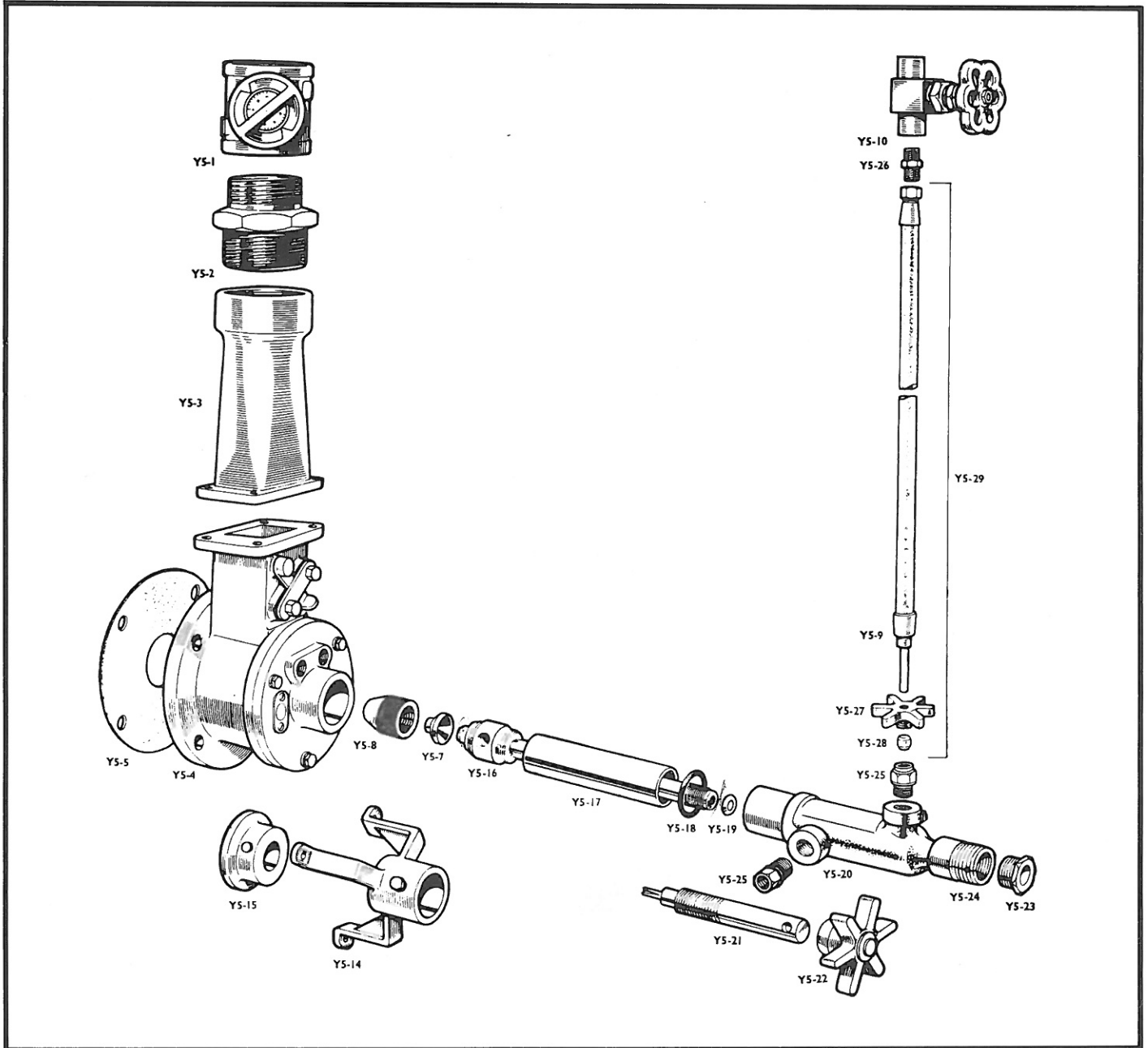




parts list to suit oil burner MODEL Y5



ITEM	CODE No.	DESCRIPTION
1		Butterfly Air Valve (2 1/2" BSP)
2	E20-110Z	Hexagon Nipple (2 1/2" BSP)
3	Z12-017G	Connecting Piece (2 1/2" BSP)

ITEM	CODE No.	DESCRIPTION
4		Forced Secondary Air Casing
5	Z12-001R	Orifice Plate
7	M12-031H	Cone

ITEM	CODE No.	DESCRIPTION
8	M12-032A	End Cap
9	E05-002T	Flexible Supply Pipe - (Oil or Air)
10	E09-063B	Needle Valve (1/4" BSP)
14	Z12-013C	Induced Air Regulator Bracket
16	M12-039R) M12-029P)	Oil Tube with Swirler <i>M12-028N</i>
17	M12-038Q	Outer Barrel
18	G05-013V	'O' Ring Air Seal
19	—	Copper/Asbestos Oil Seal
20	M12-044N	Burner Body

ITEM	CODE No.	DESCRIPTION
21	M12-020J <i>M12-045A</i>	Oil Metering Spindle <i>M12-022G</i>
22	M12-019M	Micrometer Oil Control Knob
23	M12-018L	Gland Nut
24	—	Gland Packing
25	E10-602H	Male Adaptor 1/4" BSP x 5/16" OD
26	—	Union Nipple 1/4" BSP
27	Z12-016F	Quick-Release Wing Nut
28	E10-565T	Tubing Sleeve 5/16"-Type Z4
29	U90-388F	Flexible Pipe C/W Wing Nut & (PR) Sleeve

ITEM NUMBERS RELATE TO NUMBERED EXPLODED DRAWINGS ATTACHED

NOTES:-

STOCKIST:-



NU-WAY LIMITED, P.O. Box 1, Vines Lane, Droitwich,
Worcs. WR9 8NA, England.
Tel: Droitwich (0905) 794331 & 794242
Telex: 338551 Nuway G & 339868 Nuway G.
Facsimile: (0905) 794017
a subsidiary company of Wolseley plc