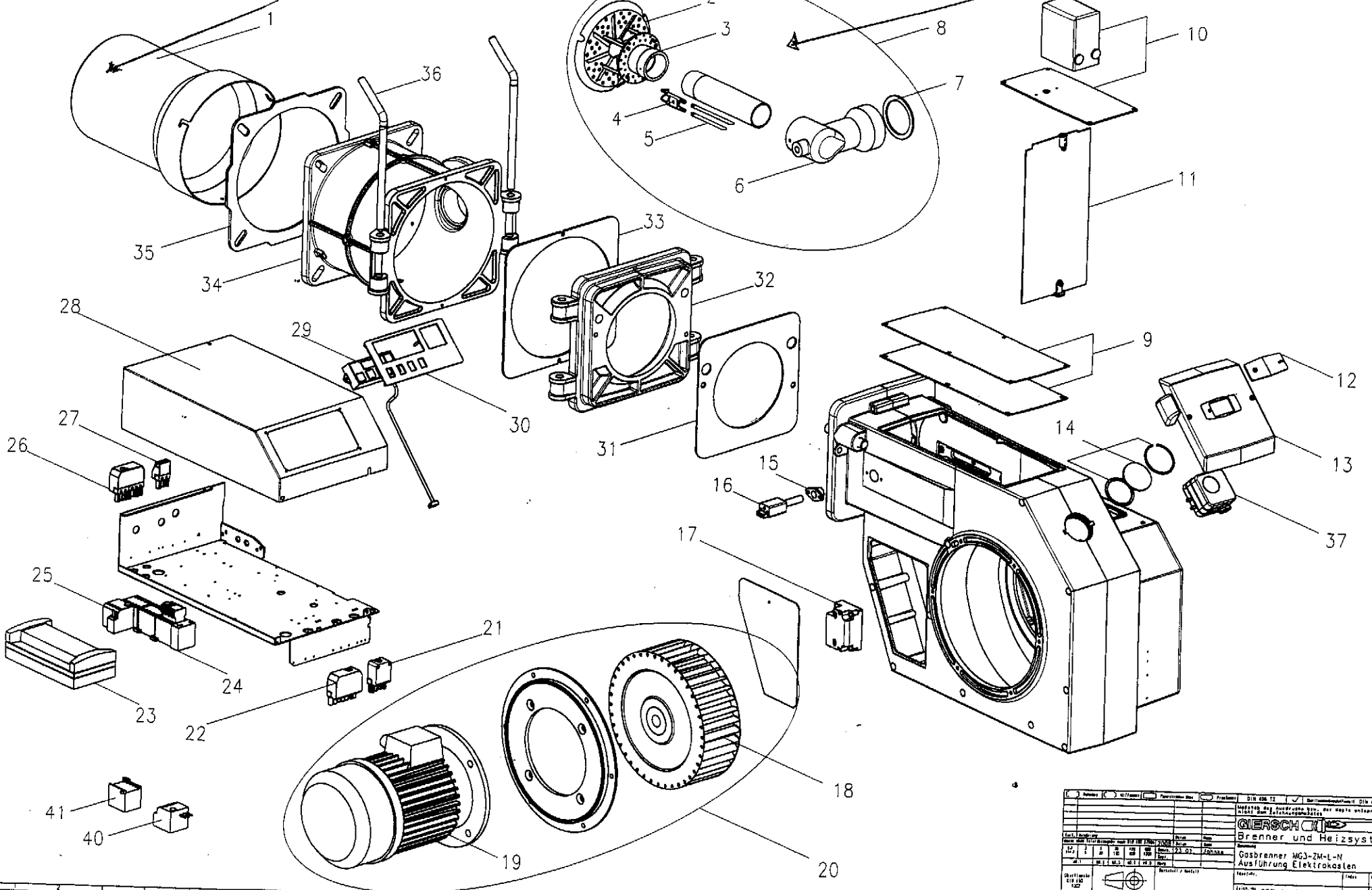


GS 479012890

GS 479012847



GEBRÜDER Brenner und Heizsysteme	
Gasbrenner MG3-ZM-L-N Ausführung Elektrokosten	
Zeich.-Nr.	28Z 2-170
Metzger	26-36-43251

GS479012890

Spare parts list MGN2000 LN T3D

Pos.	Benennung	Art.Nr.	VE
1	Flame tube	47-90-12890	1
1	200mm extended flame tube	47-90-12951	1
2	Secondary gas nozzle	47-90-22853	1
3	Diffuser	47-90-22857	1
4	Primary gas nozzle	47-90-22852	1
5	Ignition electrode	47-50-24517	2
6	Ignition cable	47-50-25003	2
6	200mm extended ignition cable	47-50-25482	2
7	Gasket for gas nozzle assembly	47-50-12791	5
8	Gas nozzle assembly	47-90-22858	1
8	200mm extended gas nozzle assembly	47-90-24287	1
9	Fan casing lid with gasket	47-90-12982	1
10	Air damper motor SAD 1.5	47-90-26383	1
11	Air damper	47-90-24464	1
12	Lid for inspection glass cover	47-50-12106	5
13	Inspection glass cover	47-90-24999	1
14	Inspection glass cover with gasket	36-90-11544	1
15	Holder M93 for flame detector IRD 1020	47-90-22241	1
16	Flame detector IRD 1020 blue left	47-90-22240	1
17	Electronic ignition transformer	47-90-26790	1
18	Fan wheel Ø280x110	47-90-22851	1
19	Fan motor 4,5 kW	47-90-12804	1
20	Fan motor assembly	47-90-26800	1
21	4 pin Wieland socket, green	37-90-20744	1
22	7 pin Wieland socket, brown/black	37-90-20731	1
27	Automatic burner control system MPA 22	47-90-24166	1
28	Star-delta starter YKB7-30	47-90-25176	1
29	Overload 4,0 - 6,0 A	47-90-25173	1
30	7 pin Wieland socket, green	37-90-10831	1
31	3 pin Wieland socket, black	37-90-20739	1
32	Cover for burner terminal panel	47-90-25206	1
33	Switch board	47-90-24887	1
34	Display AM07	47-90-24167	1
35	Gasket set	47-90-26792	1
36	Hinge plate	47-90-12771	1
37	Hinged extension	47-90-12770	1
38	Hinge pin	46-90-12809	2
39	Air pressure switch LGW 50 A2	44-90-20793	1
	Fan inlet device	47-90-12785	1
	Air inlet guard	46-90-12992	1

o.Abb.
o.Abb.