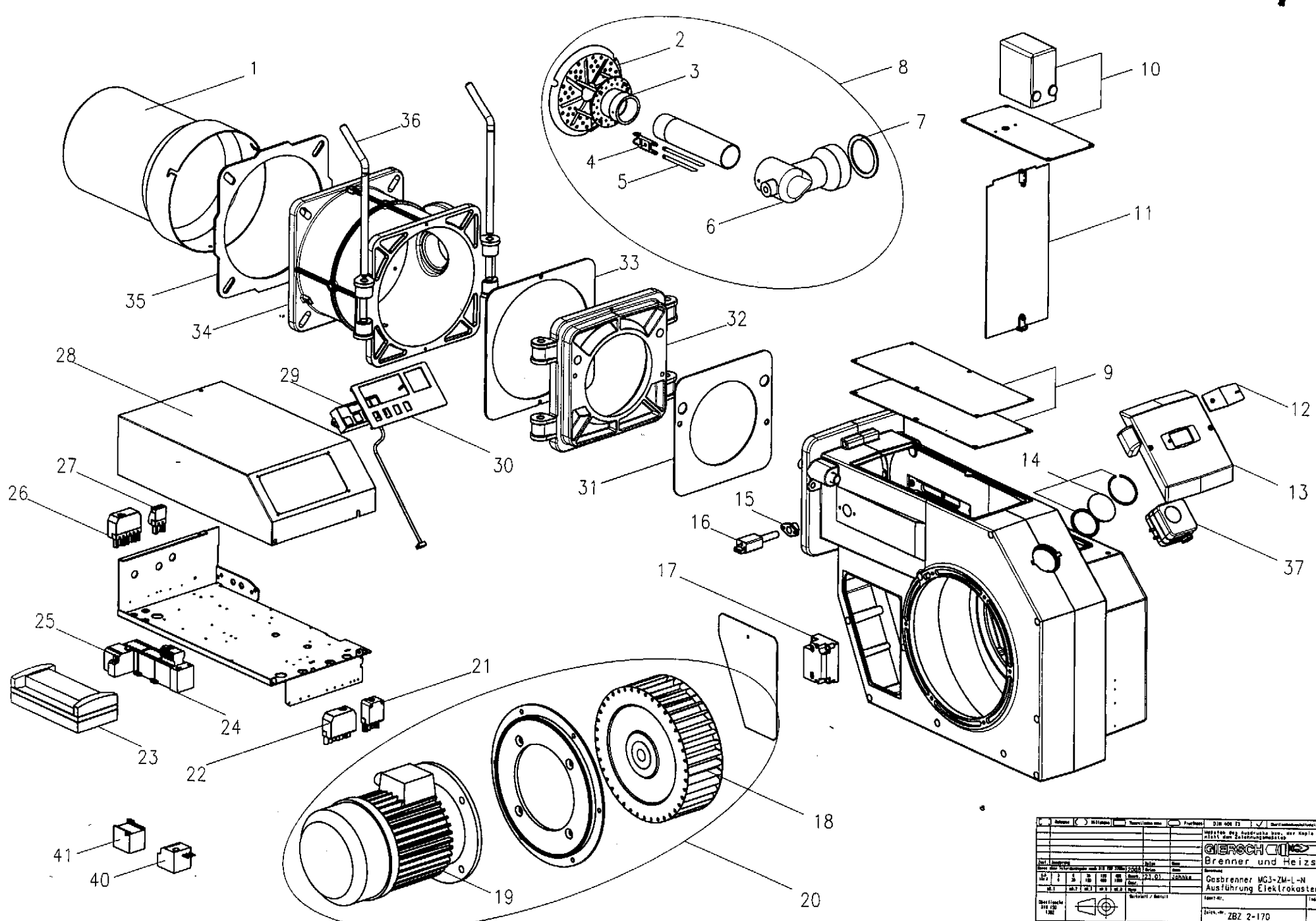


Diese Zeichnung ist ein Dokument der GIERSCH GMS AG. Sie ist Eigentum der GIERSCH GMS AG und darf nicht ohne schriftliche Genehmigung der GIERSCH GMS AG weitergegeben, kopiert oder in irgendeiner Weise veröffentlicht werden.



GIERSCH GMS		Brenner und Heizsysteme	
Gesamter MGN-2M-L-N Ausführung Elektrokosten			
Zusatz: ZBZ 2-170		26-36-43251	

Item	Part No.	Part Description
1	47-90-12833	Flame tube MGN2100 320mm
1	47-90-12834	Flame tube MGN2500/2800 320mm
1	47-90-21894	Flame tube MGN2100 520mm
1	47-90-21933	Flame tube MGN2500/2800 520mm
2	47-90-12831	MGN 2100 Diffuser 178mm
2	47-90-12832	MGN 2500/2800 Diffuser 204mm
3	47-90-12827	Natural Gas nozzle for MGN2100 and 2500
3	47-90-22848	Natural Gas nozzle for MGN2800
3	47-90-25308	LPG nozzle
4	36-90-10127	Ignition electrode with bracket
5	47-50-25003	Cable for ignition electrode 320mm
5	47-50-25482	Cable for ignition electrode 520mm
6	47-90-12829	Gas inner pipe
7	47-50-12791	Gasket for gas connection MGN2100/2500/2800
8	47-90-12847	Natural Gas inner assembly with ignition electrodes for MGN2100 320mm
8	46-90-12790	Natural Gas inner assembly with ignition electrodes for MGN2500 320mm
8	46-90-22851	Natural Gas inner assembly with ignition electrodes for MGN2800 320mm
8	46-90-21938	Natural Gas inner assembly with ignition electrodes for MGN2100 520mm
8	46-90-12975	Natural Gas inner assembly with ignition electrodes for MGN2500 520mm
8	46-90-22921	Natural Gas inner assembly with ignition electrodes for MGN2800 520mm
8	47-90-26152	LPG inner assembly with ignition electrodes for MGN2100 320mm
8	47-90-26794	LPG inner assembly with ignition electrodes for MGN2500 320mm
8	47-90-26796	LPG inner assembly with ignition electrodes for MGN2800 320mm
8	47-90-26797	LPG inner assembly with ignition electrodes for MGN2100 520mm
8	47-90-26797	LPG inner assembly with ignition electrodes for MGN2500 520mm
8	47-90-26797	LPG inner assembly with ignition electrodes for MGN2800 520mm
9	47-90-12982	Top Cover for casing
10	47-90-26383	Air damper motor SAD 1.5 for MGN2100/2500/2800
11	47-90-24464	Air flap for MGN2100/2500/2800
12	47-50-12106	Cover for sightglass
13	47-90-24999	Rear cover MGN2100/2500/2800
14	36-90-11544	Sightglass with gasket
15	47-90-22241	Holder M93 for IRD
16	47-90-22240	Flame detector IRD 1020 blue left
17	47-90-26790	Electronic Ignitor
18	47-90-22579	Fan impeller 218 x 80 for MGN860LN
18	47-90-22580	Fan impeller 224 x 82 for MGN1350LN
18	47-90-22881	Motor 1,1 kW 400 V / 50 Hz
18	47-90-22850	Motor 2,2 kW 400 V / 50 Hz
19	47-90-12803	Motor 4 kW for MGN2100
19	47-90-12804	Motor 4,5 kW for MGN2500
19	47-90-22876	Motor 5,5 kW for MGN2800
20	47-90-26798	Motor 4 kW with impeller for MGN2100
20	47-90-26800	Motor 4,5 kW with impeller for MGN2500
20	47-90-26801	Motor 5,5 kW with impeller for MGN2800
21	37-90-20744	Electrical plug 4 pole green
22	37-90-20731	Electrical plug 7 pole black/brown
23	47-90-24166	MPA 22 burner programmer
24	47-90-25176	Star delta contactor YKB7-30
25	47-90-25173	Thermal overload 4.0 - 6.0 (SD) A for MGN2100/2500
25	47-90-25174	Thermal overload 6.0 - 9.0 (SD) A for MGN2800
26	37-90-10831	Electrical plug 3-pole green
27	37-90-20739	Electrical plug 3-pole black
28	47-90-25206	Lid for control panel
29	47-90-24167	MPA display AM07
30	47-90-24887	Rear cover for control panel MGN2100/2500/2800
31/33/35	47-90-26792	Gasket set MG2100/2500/2800
32	47-90-12771	Hinged section MGN2100/2500/2800
34	47-90-12770	Hinged extension MGN2100/2500/2800
36	46-90-12809	Rod for hinge MGN2100/2500/2800
37	47-90-26723	Differential air pressure switch 2.5 - 50 mbar
40	47-90-25175	Thermal overload 6.0 - 12.0 A for MGN2100/2500/2800
41	47-90-25171	Motor contactor B7-30-10