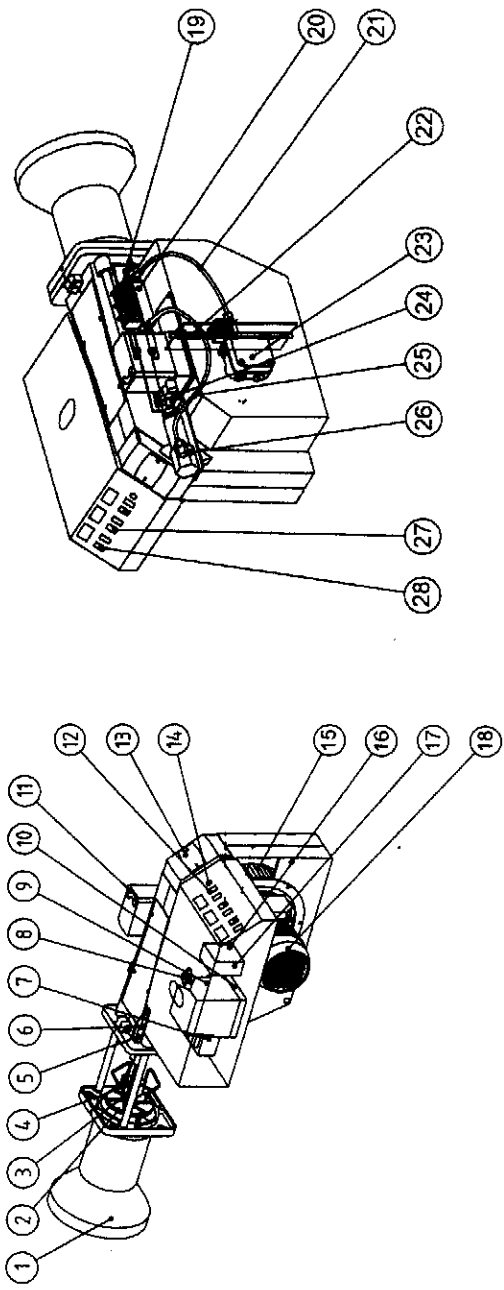


SPARE PARTS LIST



MOL 2540-3R
Page 1 of 2



Item	Description	Part No.	Price £
1	FLAME TUBE (TO SPEC ADVISED)		
2	DIFFUSER	BN11932501	
3	NOZZLE - SIZE REQUIRED		
4	NOZZLE ASSEMBLY (TO SPEC ADVISED)		
5	IGNITION ELECTRODES (PAIR)	BN91924701	
6	IGNITION HT LEAD L = 500mm (PAIR)	BN11933706	
6A	IGNITION HT LEAD L = 800mm	BN11933709	
7	TRANSFORMER	BN91745603	
8	QRB1-A PHOTOCCELL 1500mm	C31014N	
9	LAL1.25 CONTROL	C21106W	
10	CONTROL BASE	C21117Q	
11	SNQ75.436A21B DAMPER MOTOR	BN11942301	
12	INDICATOR LAMP - GREEN	BN11721103	
13	SIGHT GLASS COVER HOUSING	BN1190660105	
14	FUSE 6 - 3 AMP	BN11333201	
15	FAN IMPELLOR	BN11277607	
16	CONTACTOR CI9	BN11311002	
17	THERMAL OVERLOAD 6-9.2 AMP	BN11311108	
18	MOTOR 3.0 kW 3ph	BN11791104	
19	SOLENOID VALVE - SINGLE	BN11946901	

SPARE PARTS LIST



MOL 2540-3R

Page 2 of 2

Item	Description	Part No.	Price £
20	SOLENOID VALVE 3-WAY	BN11945301	
21	FLEXIBLE OIL LINE TO VALVE BLOCK	BN11916801	
22	AIR DAMPER	BN11946301	
23	FUEL PUMP RSA125.070L3412	BN11019719	
24	ADJUSTMENT PLATE	BN11946801	
25	FLEXIBLE OIL LINE - HYDRAULIC	BN11916801	
26	HYDRAULIC RAM ADJUSTMENT	BN91926301	
27	LOW FLAME SWITCH	BN11721202	
28	ON/OFF SWITCH	BN12014901	
	OPTIONS		
	DRIVE COUPLING	BN11309406	
	FLEXIBLE OIL PIPE ¼ MALE x 1500mm	BN11354208	
	FILTER ½ BSP	E03005U	
	FILTER ELEMENT	E03024N	