

**SPARES AND COMPONENTS  
DIVISION**



NU-WAY LTD. P.O. Box 1, Vines Lane,  
Droitwich,  
Worcs., WR9 8NA, England  
Tel. 0905 794331 & 794242  
Fax. 0905 794017  
Telex 338551 Nuway G  
Registered in England No. 299044  
a subsidiary company of Wolseley plc.

**SPARE PARTS LIST**

BURNER MODEL **NOL 30/25 & 35/25**

*EXT PIPEWORK T98885Z.*

Item	Code No.	Description	Category (see note)	Price
1	U90-539W	DRAUGHT TUBE (TO SPEC ADVISED)		
2	U90-043Y	INNER ASSY (TO SPEC ADVISED)		
3A	L04-115W	DIFFUSER 6" (NOL30-25)		
3B	L04-117Y	DIFFUSER 5 1/2" (NOL35-25) X		
4	U90-319H	ELECTRODES		
5	U90-401V	H.T. LEADS		
6	G05-005E	'O' RINGS		
7A	<del>197564W</del> A10-001Z	1.5HP 3PH MOTOR . . ?		
7B	A10-004U	1.5HP 1PH MOTOR = ?		
8A	G01-002F	TAPERLOCK ADAPTOR		
8B	G02-005B	TAPERLOCK BUSH		
9	D10-003Y	254 x 74 FAN		
10	Z04-219G	MOTOR ADAPTOR PLATE		
11	G03-006D	145MM COUPLING		
12	E02-003Z	AJ6 FUEL PUMP		
13A	E01-028Y	V-MATIC SOLENOID VALVE		
13B	E01-113J	TTH TWIN SOLENOID VALVE		
14	E19-001X	HYDRAULIC RAM		
15	G04-005D	0-600 PSI PRESSURE GAUGE		
16A	C21-174Z	TTO 872 CONTROL BOX		

**NOTES**

- Categories: A - Recommended Short-Term Spares - Commissioning Spares (3 years)  
B - Recommended Long-Term Spares (5 years)
- When ordering spare parts it is essential to quote serial & specification number of burner
- Code numbers and types of electrical items are based on standard electrical supplies of 220-240 1phase 50Hz, or 380-440 3phase 50Hz

**SPARES AND COMPONENTS  
DIVISION**



NU-WAY LTD. P.O. Box 1, Vines Lane,  
Droitwich,  
Worcs., WR9 8NA, England  
Tel. 0905 794331 & 794242  
Fax. 0905 794017  
Telex 338551 Nuway G  
Registered in England No. 299044  
a subsidiary company of Wolseley plc.

**SPARE PARTS LIST**

BURNER MODEL **NOL 30/25 & 35/25**

Item	Code No.	Description	Category (see note)	Price
16B	C21-114M	BASE TO SUIT TT/TF CONTROL		
17A	C31-039X	MZ770 PHOTOCCELL HEAD		
17B	C31-040C	LEAD TO SUIT MZ770		
18	C56-044D	C19 CONTACTOR		
19A	C55-060Q	1.8 - 2.8 OVERLOAD		
19B	C55-063F	6 - 9.2/10 - 16 OVERLOAD		
20	C03-012Z	35MA TRANSFORMER		
21	B02-049R	5 A FUSE		
22	B01-034Z	MICROSWITCH		
23A	E03-005U	1/2 FILTER		
23B	E03-024N	ELEMENT TO SUIT		
24	E05-038W	1/2 x 36 FLEXIBLE OIL PIPE		
25A	G09-001N	GASKET		
25B	G09-002P	GASKET		
26	-	NOZZLE (ADVISE SIZE & SPRAY ANGLE)		
		<b>OPTIONS</b>		
	C21-107X	LAL2.25 110V CONTROL BOX		
	C31-017R	ORB3 PHOTOCCELL		
	C02-029H	35MA 110V TRANSFORMER		
	E01-030W	V-MATIC 110V SOLENOID VALVE		

**NOTES**

- Categories: A - Recommended Short-Term Spares - Commissioning Spares (3 years)  
B - Recommended Long-Term Spares (5 years)
- When ordering spare parts it is essential to quote serial & specification number of burner
- Code numbers and types of electrical items are based on standard electrical supplies of 220-240 1phase 50Hz, or 380-440 3phase 50Hz

**SPARES AND COMPONENTS  
DIVISION**



NU-WAY LTD. P.O. Box 1, Vines Lane,  
Droitwich,  
Worcs., WR9 8NA, England  
Tel. 0905 794331 & 794242  
Fax. 0905 794017  
Telex 338551 Nuway G  
Registered in England No. 299044  
a subsidiary company of Wolseley plc.

**SPARE PARTS LIST**

BURNER MODEL **NOL 30/25 & 35/25**

Item	Code No.	Description	Category (see note)	Price
	C21-066Y	TMO 720 CONTROL		
	C31-043T	FZ711 PHOTOCELL HEAD		
	C04-002H	50MA TRANSFORMER		

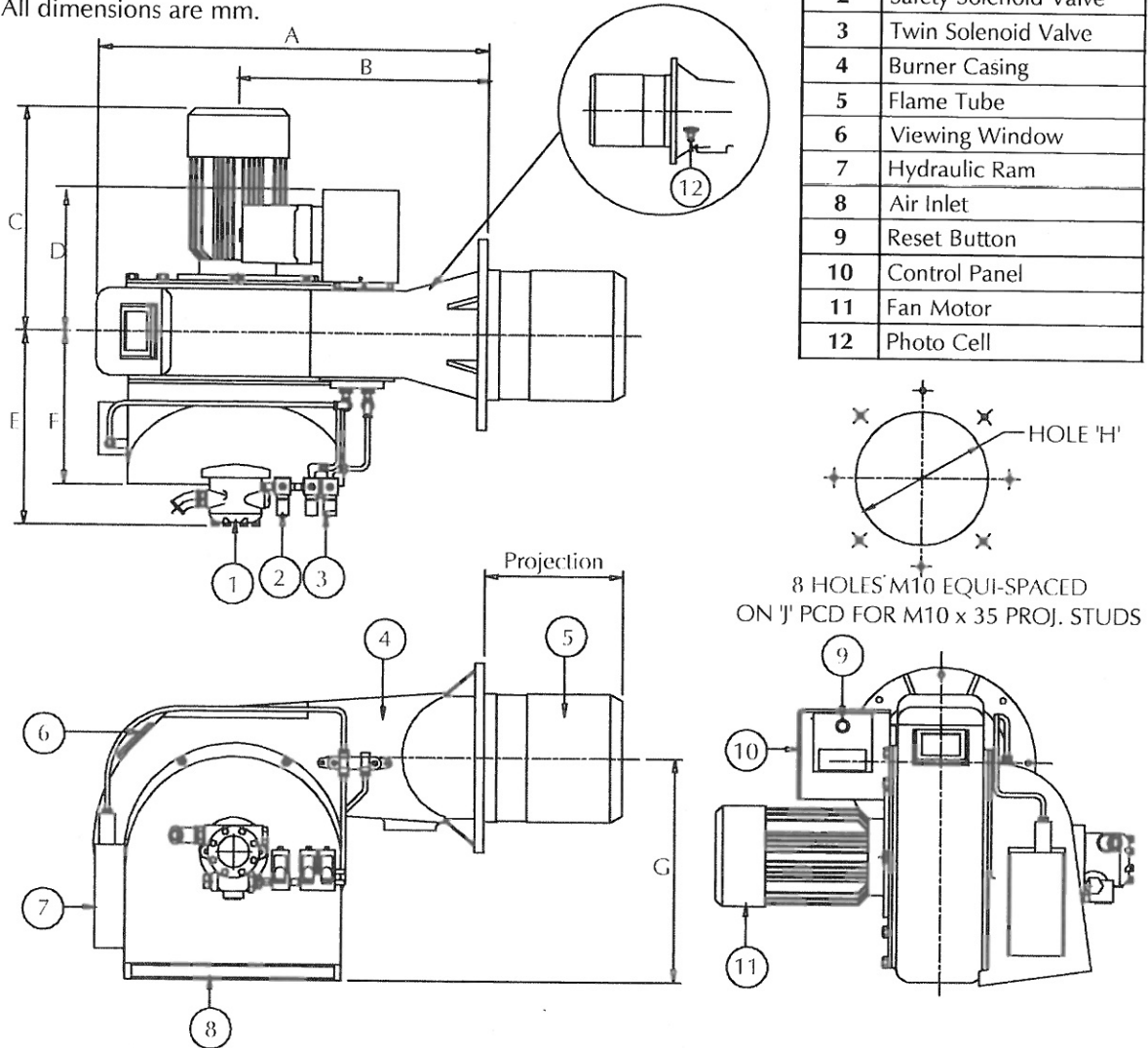
**NOTES**

- Categories: A - Recommended Short-Term Spares - Commissioning Spares (3 years)  
B - Recommended Long-Term Spares (5 years)
- When ordering spare parts it is essential to quote serial & specification number of burner
- Code numbers and types of electrical items are based on standard electrical supplies of 220-240 1phase 50Hz, or 380-440 3phase 50Hz

# BURNER & COMPONENT IDENTIFICATION

Standard Burner Arrangement Shown

All dimensions are mm.



BURNER	A	B	C*	D	E	F	G	H	J
NOL18-34	674	440	420	250	335	265	400	254	305
NOL18-38	721	465	457	250	335	295	475	254	305
NOL30-25	544	365	307	250	300	215	315	205	254
NOL35-25	544	365	307	250	300	215	315	205	254
NOL35-34	674	440	420	250	335	265	400	254	305
NOL35-38	721	465	457	250	340	295	475	254	305
NOL50-28	674	440	420	250	335	265	400	254	305
NOL50-34	674	440	457	250	335	265	400	254	305
NOL50-38	721	465	480	250	340	295	475	254	305
NOL60-28	674	440	457	250	335	265	400	254	305
NOL60-34	674	440	480	250	335	265	400	254	305
NOL60-38	721	465	480	250	340	295	475	254	305
NOL85-38	721	465	537	250	340	295	475	254	305
NOL100-38	721	465	537	250	340	295	475	254	305

\* Motor dimension may vary according to motor size and type