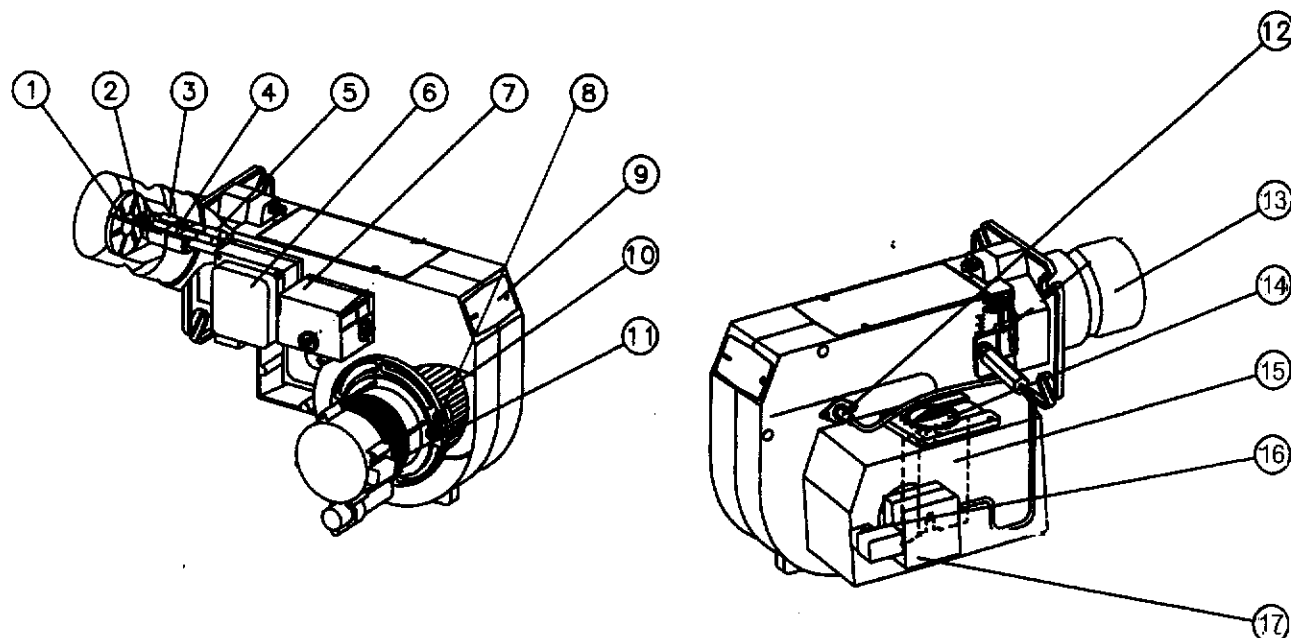


SPARE PARTS LIST



MOL 200 S1L



Item	Description	Part No.	Price £
1	DIFFUSER	BN1187101	
2	NOZZLE (SIZE REQUIRED)		
3	ELECTRODES	BN11924401	
4	NOZZLE ASSEMBLY (TO SPEC ADVISED)		
5	IGNITION LEAD L = 300mm	BN11933702	
5A	IGNITION LEAD L = 330mm (PAIR)	BN1,1830502	
6	TRANSFORMER FIDA-MS-P41	BN11804601	
7	LOA24.171B27 CONTROL BOX	BN11559504	
8	DRIVE COUPLING	BN11127819	
9	INSPECTION GLASS COVER	BN11708001	
10	FAN IMPELLOR 146 x 52 x 12.7	BN11277608	
11	MOTOR 180W 1ph	BN91714806	
12	QRB1 PHOTOCCELL	BN91240908	
13	FLAME TUBE (TO SPEC ADVISED)		
14	} AIR ADJUSTMENT COMPLETE	BN91827501	
15			
16	SOLENOID VALVE	BN91597201	
17	AS47CK 1587 FUEL PUMP	BN12026432	
	OPTIONS		
	MOUNTING GASKET	BN11278806	
	FLEXIBLE OIL PIPE 1/4 x 3/8 = L1000	BN11027209	
	<i>FILTER</i>	<i>E03082R</i>	